

epopack

俊伸有限公司
SIMPLE AND SUSTAINABLE

Simple and sustainable

— EPOPACK storytelling packaging —





簡潔 & 永續-為您創造無限的可能

在這美的產業，我們的客戶需要的不僅僅是一個盛裝產品的容器，更是一個展現產品價值跟產品故事的媒介，一個說故事的包材。

俊伸有限公司是一家優良的化妝品包裝材料製造商與供應商。擁有30年之研發與製造經驗的我們，為全球客戶提供許多種類且高品質之化妝品包裝。我們提供精緻的客製化服務，以滿足客戶之多樣的需求。

因為相信在化妝品包材的市場裡，可以美麗時尚，也可以同時為這個居住的環境盡一份心力。企業理念:簡單 (simple) & 永續 (sustainable)，是推動著我們每天前進的動力。憑藉著過往使用各種不同材質的經驗及累積的專業知識，同時秉持著設計並生產可節省能源、可回收且具永續性包裝的使命。

我們於2005年起開始做了不同的嘗試並積極開發PET厚壁瓶(請參閱第6頁)，PET厚壁瓶系列不但保有類似玻璃的透明度及白瓷瓶的光澤感，以及不易碎裂的特性。基於環保以及愛護地球的理念，我們亦於2009年全心投入100%消費者後端回收PET (PCR PET)厚瓶製作來呼應企業理念(請參閱第19頁)。更於2011年，將企業理念注入產品設計中並推出單一材質的PET霜罐(請參閱第24頁)，不但使整個產品可以百分之百回收更提高回收的效率。

俊伸有限公司亦提供多項客製化的服務，將產品量身訂做，為產品說故事，以持續提供讓客戶滿意的服務。我們的產品線包含:PET厚壁瓶，PET厚壁霜罐，SAN (AS)，PETG and PP 真空瓶

1987	1990	2005	2009	2011	2019	2020	2023
創立於 1987	1990 玻璃瓶 1998 AS真空瓶 1999 壓克力瓶 2000 PP真空瓶	2005 PET厚壁瓶	2009 再生PET瓶	2011 ISO 9001 2012 PET厚壁霜罐	2019 遷廠擴張	2020 合併導入 ISO9001 & ISO14001	PET滴管組



Simple & Sustainable - We Create Infinite Possibilities For You

As we operate in the beauty industry, what our customers need is not just a container but a storyteller. A good packaging tells stories and sells products.

EPOPACK Co., Ltd. is a leading manufacturer in the cosmetics packaging industry. With 30-year experience in R&D as well as in manufacturing, we offer a wide range of high-quality cosmetics containers worldwide. We also provide custom-made products to meet our customers' needs.

Eco-friendly packaging is very presentable for cosmetic products and acts as a story teller as well. To achieve this goal, our products are designed with style, are easy to customized and are made in recyclable material. It happens to be PET heavy wall bottles and jars. Since PET is the most widely recycled plastic in the world, which has been ranked international recycle code number one, the heavy wall style creates the value that you can physically feel in your hands.(Read page 6)

Furthermore, we have been dedicated to developing 100% post consumer recycled (PCR) PET heavy-wall bottles since 2009. PCR PET heavy-wall cosmetic bottles are produced from 100% PCR PET resin by our cooperative partner, DAAI Technology Co., Ltd. The recycled material is created by TZU CHI environmental volunteers, sorting, removing labels, caps and neck rings one by one as well as by thoroughly cleaning the PCR PET bottles. Our PCR PET bottles can be infinitely recycled. (Read page 19)

Additionally, PET heavy wall jars reinforce the idea of eco-friendliness. The green idea of “single material packaging” produces 3 or 4 components all in PET material, which makes the recycling process much easier and more efficient to the consumers. The single material concept reduces the work needed to recycle the material and also increases the usage of recycled materials.

To reiterate the philosophy of our company: keep it simple & sustainable and uphold the mission of using energy-efficient and highly sustainable packaging materials to develop a wealth of cosmetic bottles. Our goal is to keep on supplying eco-friendly and recyclable cosmetics packaging.

Our product lines include PET heavy wall bottles, PET heavy wall jars, SAN (AS) , PETG and PP airless bottles.

1987	1990	2005	2009	2011	2019	2020	2023
Since 1987	1990 Glass Bottle 1998 AS Airless Bottle 1999 Acrylic Bottle 2000 PP Airless Bottle	2005 Heavy Wall PET Bottle	2009 PCR PET Bottle	2011 ISO 9001 2012 PET Heavy Wall Jar	2019 Relocation for expansion	2020 ISO9001 & ISO14001	PET droppers

PET HEAVY WALL BOTTLE

PET 厚壁瓶

Cylindrical 圓瓶

- 06 TR 系列 / SERIES
- 07 TD 系列 / SERIES
- 08 AX, FC 系列 / SERIES
- 09 AY, DA, AQ 系列 / SERIES
- 10 AG 系列 / SERIES
- 11 FA, DC 系列 / SERIES
- 12 FD 系列 / SERIES
- 13 AV, AU, AY, DV 系列 / SERIES

Square 方瓶

- 14 TS, TL, FB 系列 / SERIES
- 15 AJ, AK, AL, AM 系列 / SERIES

Cone 錐形瓶

- 16 TC 系列 / SERIES

Water Drop 水滴瓶 Oval 橢圓瓶

- 17 TA 系列 / SERIES
- 18 TE, TF, TO, AZ 系列 / SERIES

Other 其他造型

- 19 AA, AB, AC, AD, AE, AF, AP 系列 / SERIES
- 20 AN 系列 / SERIES
- 21 AH 系列 / SERIES
- 22 AO 系列 / SERIES

PET HEAVY WALL JAR

PET 厚壁霜罐

- 23 PET 厚壁霜罐 / PET Heavy Wall Jar
- 24 MJA 系列 / SERIES
- 25 EJ1, PJA, PJB 系列 / SERIES

100% PCR PET

消費者終端回收 PET

- 27 PCR PET

AIRLESS BOTTLE

真空瓶

- 25 Airless Bottle

AS/SAN Material PETG Material

- 29 A33 系列 / SERIES
- 30 G 系列 / SERIES

PP Material

- 31 P20 系列 / SERIES
- 32 P24 系列 / SERIES
- 33 P33 系列 / SERIES

ATTACHMENT DECORATION

配件 / 裝飾

- 35 OPTIONAL COMPONENTS
- 37 PRODUCT REVIEW
- 42 DECORATION OPTIONS

PET HEAVY WALL BOTTLE



PET 厚壁瓶

PET厚壁瓶為最理想之化妝品包材，不論是其材料特性亦或是厚壁質感皆可在消費者的第一印象中將品牌價值強調出來。

The two powerful features, sustainable eco-friendly PET material and high quality heavy wall style, make PET heavy wall bottles your best choice for cosmetic packaging.

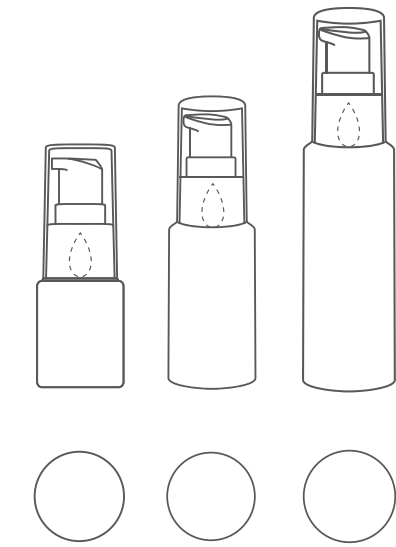


Dosage / 壓頭輸出量 : 0.22ml

Bottle Material / 瓶身材質: PET / 100% PCR PET

ITEM 品項	Full Vol.(ml) 滿量	Dia.(mm) 直徑	Ha(mm) 瓶高	Hb(mm) 總高	G.P.I. 牙口
TR4-015	17	28.0	62.0	92.2	20/410
TR6-030	32	30.4	87.5	119.3	20/410
TR7-050	58	34.0	103.5	135.5	20/410
TR6-075	77	35.0	116.9	148.6	20/410
TR6-100	106	41.0	110.8	136.6	20/410
TR7-120	124	41.0	127.8	155.5	20/410
TR7-150	154	42.0	143.6	171.8	20/410

Attachment 搭配配件	Pump+Cap 壓頭+上蓋						Reducer + serew cap 瓶口塞+旋蓋				Dropper 滴管	
	L1+ EP2424	L1+ EP3042	L1L+ EP2845A	L2 or L8 EP2845	L2 or L8 CI2744	B2 or B8 EP3144	R20A+ SC2416	R20A+ SC2418	R20A+ SC2430	R20A+ SC2435	DP20	DM20
TR4-015	•		•	•	•		•	•	•	•	•	•
TR6-030	•	•	•	•	•		•	•	•	•	•	•
TR7-050	•	•	•	•	•		•	•	•	•	•	•
TR6-075	•	•	•	•	•		•	•	•	•		
TR6-100	•	•	•	•	•	•	•	•	•	•		
TR7-120	•	•	•	•	•	•	•	•	•			
TR7-150	•	•	•	•	•	•	•	•	•			

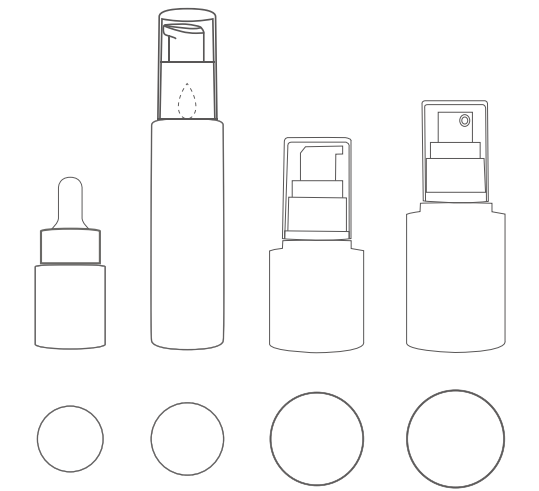


Dosage / 壓頭輸出量 : 0.22ml

Bottle Material / 瓶身材質: PET / 100% PCR PET

ITEM 品項	Full Vol.(ml) 滿量	Dia.(mm) 直徑	Ha(mm) 瓶高	Hb(mm) 總高	G.P.I. 牙口
TD4-S15	17.0	32.0	50.5	81.9	20/410
TD4-030	38.0	33.0	74.4	105.9	20/410
TD6-050	55.0	33.0	100.5	131.9	20/410

Attachment 搭配配件	Pump+Cap 壓頭+上蓋					Reducer + serew cap 瓶口塞+旋蓋				Dropper 滴管		
	L1+ EP2424	L1+ EP3042	L1L+ EP2845A	L2 or L8 EP2845	L2 or L8 CI2744	R20A+ SC2416	R20A+ SC2418	R20A+ SC2430	R20A+ SC2435	DL20	DP20	DM20
TD4-S15	•	•	•	•	•	•	•	•	•	•	•	•
TD4-030	•	•	•	•	•	•	•	•	•	•	•	•
TD6-050	•	•	•	•	•	•	•	•	•	•	•	•



Dosage / 壓頭輸出量 : 0.22ml

Bottle Material / 瓶身材質: PET / 100% PCR PET

ITEM 品項	Full Vol.(ml) 滿量	Dia.(mm) 直徑	Ha(mm) 瓶高	Hb(mm) 總高	G.P.I. 牙口
AX4-018	20.0	32.5	53.8	87.1	20/410
AX6-060	64.0	32.5	116.9	150.1	20/410
FC6-030	38.0	40.2	61.0	90.0	20/415
FC8-050	58.0	42.5	76.0	105.0	20/415

	Pump+Cap 壓頭+上蓋					Reducer + serew cap 瓶口塞+旋蓋				Dropper 滴管		
Attachment 搭配配件	L1+ EP2424	L1+ EP3042	L1+ EP2845A	L2 or L8 EP2845	L2 or L8 CI2744	R20A+ SC2416	R20A+ SC2418	R20A+ SC2430	R20A+ SC2435	DL20	DP20	DM20
AX4-018	•	•	•	•	•	•	•	•	•	•	•	•
AX6-060	•	•	•	•	•	•	•	•	•	•	•	•
FC6-030	•	•	•	•	•	•	•	•	•	•	•	•
FC8-050	•	•	•	•	•	•	•	•	•	•	•	•



AY9-100
100 ml



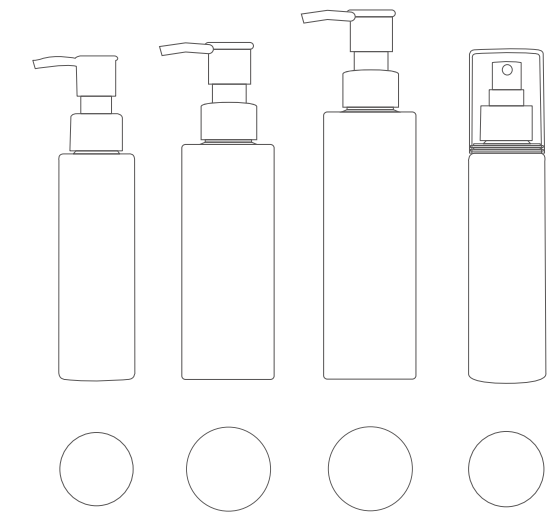
AY9-150
150 ml



DA1-200
200 ml



AQ9-100
100 ml

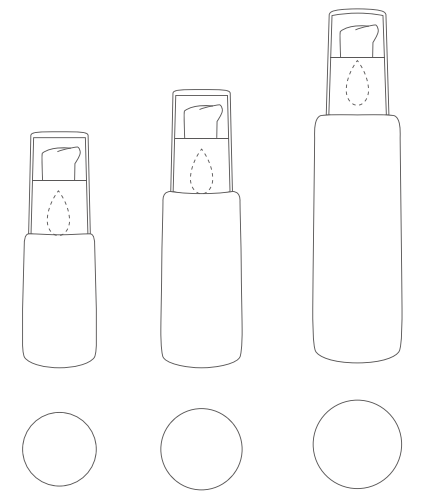


Dosage / 壓頭輸出量 : 0.22ml or 0.5ml

Bottle Material / 瓶身材質: PET / 100% PCR PET

ITEM 品項	Full Vol.(ml) 滿量	Dia.(mm) 直徑	Ha(mm) 瓶高	Hb(mm) 總高	G.P.I. 牙口
AY9-100	107.0	39.0	131.3	165.0	24/410
AY9-150	154.0	45.0	134.0	169.0	24/410
DA1-200	210.0	48.2	153.3	187.0	24/415
AQ9-100	106.0	39.0	131.3	159.0	24/410

Attachment 搭配配件	Pump+Cap 壓頭+上蓋					Reducer + serew cap 瓶口塞+旋蓋	
	B6	D1	B2 or B8/EP3144	B2 or B8/EP3247	B2 or B8/EP3850	R24B+SC4534	R24B+SC4340
AY9-100	•	•	•				
AY9-150	•	•	•			•	•
DA1-200	•	•		•		•	•
AQ9-100					•		

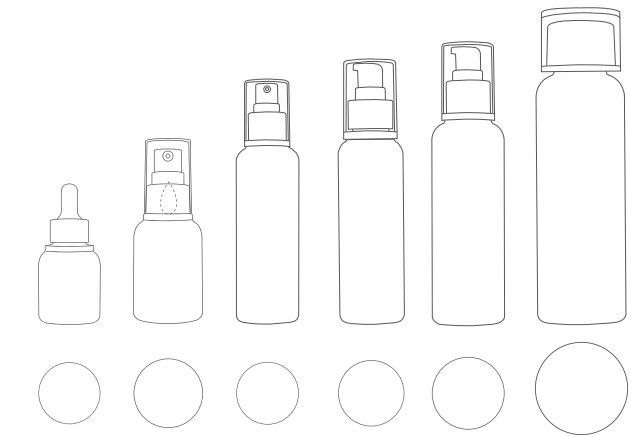


Dosage / 壓頭輸出量 : 0.22ml

Bottle Material / 瓶身材質: PET / 100% PCR PET

ITEM 品項	Full Vol.(ml) 滿量	Dia.(mm) 直徑	Ha(mm) 瓶高	Hb(mm) 總高	G.P.I. 牙口
AG4-030	33.0	32.9	70.1	101.6	20/410
AG6-050	53.0	36.0	88.7	120.1	20/410
AG7-100	102.0	39.3	121.1	152.7	20/410

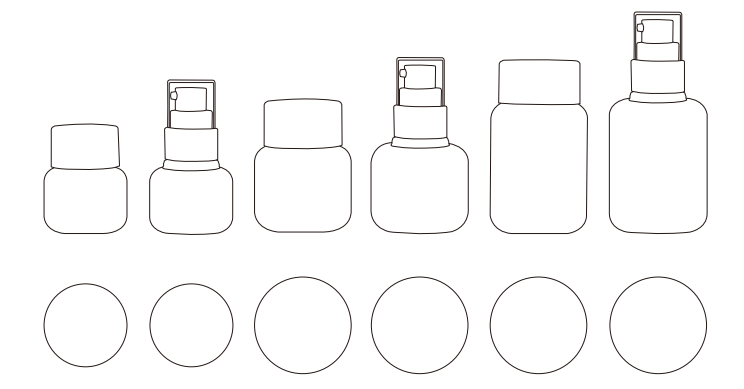
	Pump+Cap 壓頭+上蓋					Reducer + serew cap 瓶口塞+旋蓋				Dropper 滴管		
Attachment 搭配配件												
	L1+ EP2424	L1+ EP3042	L1L+ EP2845A	L2 or L8 EP2845	L2 or L8 CI2744	R20A+ SC2416	R20A+ SC2418	R20A+ SC2430	R20A+ SC2435	DL20	DP20	DM20
AG4-030	•	•	•	•	•	•	•	•	•	•	•	•
AG6-050	•	•	•	•	•	•	•	•	•	•	•	•
AG7-100	•	•	•	•	•	•	•	•	•			



Dosage / 壓頭輸出量 : 0.22ml or 0.5ml
 Bottle Material / 瓶身材質: PET / 100% PCR PET

ITEM 品項	Full Vol.(ml) 滿量	Dia.(mm) 直徑	Ha(mm) 瓶高	Hb(mm) 總高	G.P.I. 牙口
FA6-030	37.0	37.9	66.1	90.2	20/415
FA8-050	56.5	40.5	81.3	112.8	20/415
DC8-100	108.0	39.5	131.5	159.2	24/415
DC8-120	128.0	41.1	138.4	166.1	24/415
DC1-150	158.0	44.6	144.4	172.0	24/415
DC1-200	209.0	48.2	154.9	182.0	24/415

Attachment 搭配配件	Pump+Cap 壓頭+上蓋							Dropper 滴管			
	L1+ EP2424	L1+ EP3042	L1L+ EP2845A	L2 or L8 EP2845	L2 or L8 CI2744	B6	D1	B2 or B8 EP3247	DL20	DP20	DM20
FA6-030	•	•	•	•	•				•	•	•
FA8-050	•	•	•	•	•				•	•	•
DC8-100						•	•	•			
DC8-120						•	•	•			
DC1-150						•	•	•			
DC1-200						•	•	•			



ITEM 品項	Full Vol.(ml) 滿量	Dia.(mm) 直徑	Ha(mm) 瓶高	Hb(mm) 總高	G.P.I. 牙口
FD4-030	38.0	43.8	51.5	55.3	20/410
FD4-030+L5	38.0	43.8	51.5	79.7	20/415
FD6-060	69.0	51.0	62.5	66.8	20/415
FD6-060+L5	69.0	51.0	62.5	91.0	20/415
FD8-100	110.0	51.0	86.2	90.4	20/415
FD8-100+L5	110.0	51.0	86.2	114.5	20/415

	Pump+Cap 壓頭+上蓋						Reducer + serew cap 瓶口塞+旋蓋						Dropper 滴管			
Attachment 搭配配件	L1+ EP2424	L1+ EP3042	L1L+ EP2845A	L2 or L8 EP2845	L2 or L8 CI2744	L5+ EP2424	R20A+ SC2416	R20A+ SC2418	R20A+ SC2430	R20A+ SC2435	SC3622	SC4124	R20B	DL20	DP20	DM20
FD4-030	•	•	•	•	•	•	•	•	•	•	•	•	•	•	•	•
FD6-060	•	•	•	•	•	•	•	•	•	•	•	•	•	•	•	•
FD8-100	•	•	•	•	•	•	•	•	•	•	•	•	•			



Bottle & Cap / 瓶身材質: PET / 100% PCR PET

ITEM 品項	Full Vol.(ml) 滿量	Dia.(mm) 直徑	Ha(mm) 瓶高	Hb(mm) 總高	G.P.I. 牙口
AU7-120	127.0	43.7	130.6	124.0	20/410
AV4-030	35.0	37.0	47.0	68.0	20/410
AV6-060	75.0	41.4	74.0	92.3	24/415
AV7-120	121.0	41.7	122.9	128.7	20/410
AV7-150	154.0	43.7	132.9	138.7	20/410
AY9-150	154.0	45.0	134.0	169.0	24/410
DV1-200	213.0	54.3	111.1	132.0	24/415
DV1-300	304.0	55.0	147.9	168.0	24/415

Attachment 搭配配件	Reducer + serew cap 瓶口塞+旋蓋						Pump+Cap 壓頭+上蓋		
	SC3622	SC4124	SC4324	SC5429	R24B+ SC4534	R24B+ SC4340	B6	D1	B2 or B8 EP3144
AU7-120			•						
AV4-030	•								
AV6-060		•							
AV7-120		•							
AV7-150			•						
AY9-150					•	•	•	•	•
DV1-200							•		
DV1-300							•		

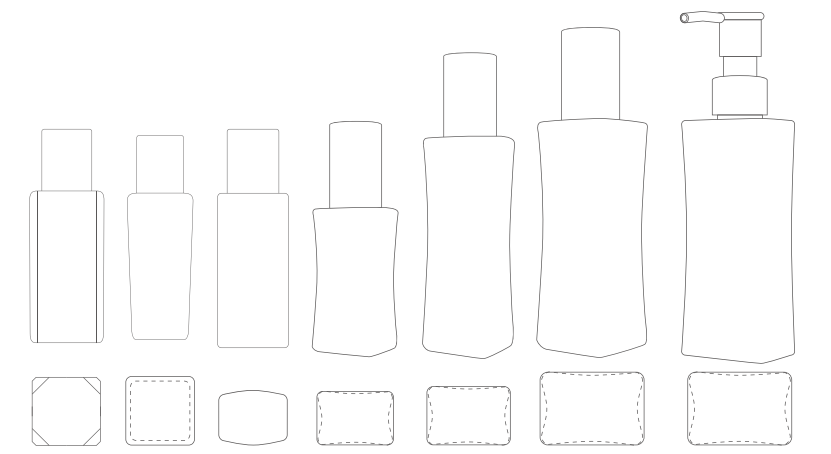


Dosage / 壓頭輸出量 : 0.22ml

Bottle Material / 瓶身材質: PET / 100% PCR PET

ITEM 品項	Full Vol.(ml) 滿量	Dia.(mm) 直徑	Ha(mm) 瓶高	Hb(mm) 總高	G.P.I. 牙口
FB6-030	37.0	35.0	62.8	80.5	20/415
FB8-050	56.0	37.0	78.0	109.45	20/415
TS6-060	70.0	34.7	88.0	114.6	20/410
TS7-090	100.0	34.7	116.75	143.2	20/410
TS9-200	217.0	43.5	148.7	176.8	24/410
TL9-200	215.0	61.0	128.1	161.0	24/410

Attachment 搭配配件	Pump+Cap 壓頭+上蓋											Reducer + serew cap 瓶口塞+旋蓋				Dropper 滴管			
	L1+ EP2424	L1+ EP3042	L1L+ EP2845A	L2 or L8 EP2845	L2 or L8 CI2744	L2A1	L2A2BCS	B2A1	B2A2BCS	CA3342	CAP3759	CAP4351	R20A+ SC2416	R20A+ SC2418	R20A+ SC2430	R20A+ SC2435	DL20	DP20	DM20
FB6-030	•	•	•	•	•								•	•	•	•	•	•	•
FB8-050	•	•	•	•	•								•	•	•	•	•	•	•
TS-60						•	•			•									
TS-90						•	•			•									
TS-200								•	•		•								
TL-200								•	•			•							

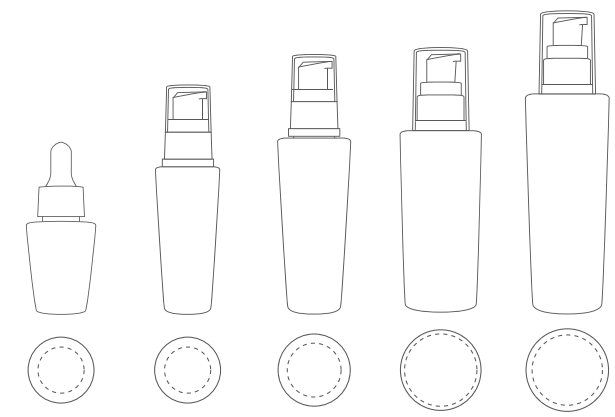


Dosage / 壓頭輸出量 : 0.22ml or 0.5ml

Bottle Material / 瓶身材質: PET / 100% PCR PET

ITEM 品項	Full Vol.(ml) 滿量	Dia.(mm) 直徑	Ha(mm) 瓶高	Hb(mm) 總高	G.P.I. 牙口
AJ6-050	53.0	34.0	86.0	104.5	20/410
AK6-050	53.0	34.0	91.1	102.6	20/410
AL6-050	53.0	35.0	87.5	108.4	20/410
AM6-050	55.0	35.8	88.4	116.0	20/410
AM7-100	104.0	39.1	124.6	152.2	20/410
AM9-150	153.0	44.5	132.5	159.5	24/410
AM9-150+D1	153.0	44.5	132.5	166.8	24/410

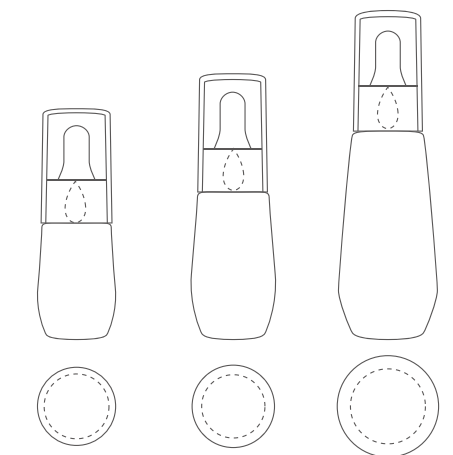
Attachment 搭配配件	Pump+Cap 壓頭+上蓋						Reducer + serew cap 瓶口塞+旋蓋				Dropper 滴管			
	L1+ EP2424	L1+ EP3042	L1L+ EP2845A	L2 or L8 EP2845	L2 or L8 CI2744	B2 or B8 EP3144	B6	D1	R20A+ SC2416	R20A+ SC2418	R20A+ SC2430	R20A+ SC2435	DP20	DM20
AJ6-050	•	•	•	•	•				•	•	•	•	•	•
AK6-050	•	•	•	•	•				•	•	•	•	•	•
AL6-050	•	•	•	•	•				•	•	•	•	•	•
AM6-050	•	•	•	•	•				•	•	•	•	•	•
AM7-100	•	•	•	•	•				•	•	•	•		
AM9-150						•	•	•						



Dosage / 壓頭輸出量 : 0.22ml
 Bottle Material / 瓶身材質: PET / 100% PCR PET

ITEM 品項	Full Vol.(ml) 滿量	Dia.(mm) 直徑	Ha(mm) 瓶高	Hb(mm) 總高	G.P.I. 牙口
TC4-015	19.0	34.2	58.4	82.3	20/410
TC6-030	34.0	34.0	90.7	119.7	20/410
TC7-050	61.0	38.1	106.0	135.0	20/410
TC6-100	105.0	44.0	108.8	137.2	20/410
TC7-120	124.0	44.7	127.7	156.3	20/410

Attachment 搭配配件	Pump+Cap 壓頭+上蓋					Reducer + serew cap 瓶口塞+旋蓋				Dropper 滴管	
	L1+ EP2424	L1+ EP3042	L1L+ EP2845A	L2 or L8 EP2845	L2 or L8 CI2744	R20+ SC2416	R20+ SC2418	R20+ SC2430	R20+ SC2435	DP20	DM20
TC4-015	•	•	•	•	•	•	•	•	•	•	•
TC6-030	•	•	•	•	•	•	•	•	•	•	•
TC7-050	•	•	•	•	•	•	•	•	•	•	•
TC6-100	•	•	•	•	•	•	•	•	•		
TC7-120	•	•	•	•	•	•	•	•	•		

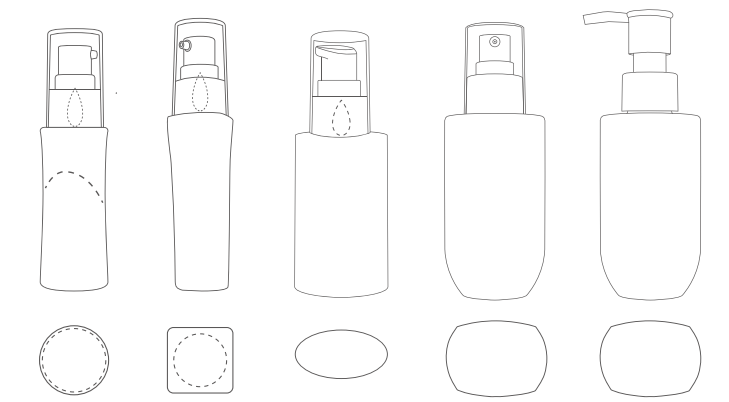


Dosage / 壓頭輸出量 : 0.22ml or 0.5ml

Bottle Material / 瓶身材質: PET / 100% PCR PET

ITEM 品項	Full Vol.(ml) 滿量	Dia.(mm) 直徑	Ha(mm) 瓶高	Hb(mm) 總高	G.P.I. 牙口
TA4-015	20.0	32.2	59.8	91.4	20/410
TA4-030	34.0	35.1	71.8	103.5	20/410
TA6-050	54.0	38.0	94.6	126.5	20/410

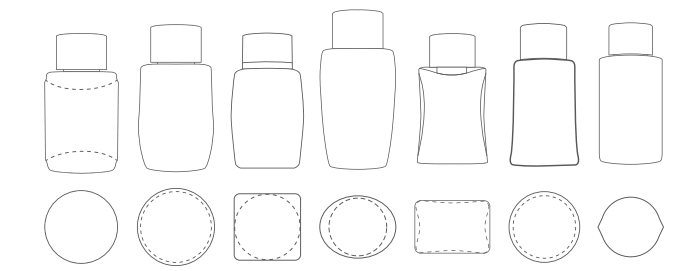
Attachment 搭配配件	Pump+Cap 壓頭+上蓋					Reducer + serew cap 瓶口塞+旋蓋				Dropper 滴管	
	L1+ EP2424	L1+ EP3042	L1L+ EP2845A	L2 or L8 EP2845	L2 or L8 CI2744	R20A+ SC2416	R20A+ SC2418	R20A+ SC2430	R20A+ SC2435	DP20	DM20
TA4-015	•	•	•	•	•	•	•	•	•	•	•
TA4-030	•	•	•	•	•	•	•	•	•	•	•
TA6-050	•	•	•	•	•	•	•	•	•	•	•



Dosage / 壓頭輸出量 : 0.22ml or 0.5ml
 Bottle Material / 瓶身材質: PET / 100% PCR PET

ITEM 品項	Full Vol.(ml) 滿量	Dia.(mm) 直徑	Ha(mm) 瓶高	Hb(mm) 總高	G.P.I. 牙口
TE6-030	34.0	32.0	88.6	129.6	20/410
TF6-030	33.0	29.1	97.8	120.3	20/410
TO6-050	53.0	42.9	87.6	119.3	20/410
AZ9-100	108.0	50.0	105.6	124.3	24/410

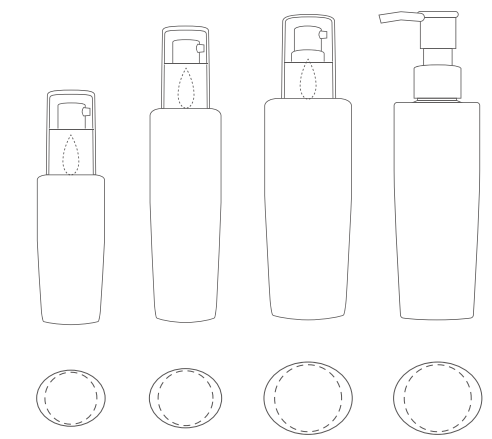
Attachment 搭配配件	Pump+Cap 壓頭+上蓋						Reducer + serew cap 瓶口塞+旋蓋					Dropper 滴管		
	L1+ EP2424	L1+ EP3042	L1L+ EP2845A	L2 or L8 EP2845	L2 or L8 CI2744	B2 or B8 EP3144	D1	R20A+ SC2416	R20A+ SC2418	R20A+ SC2430	R20A+ SC2435	R24A+ SC4340	DP20	DM20
TE6-030	•	•	•	•	•			•	•	•	•		•	•
TF6-030	•	•	•	•	•			•	•	•	•		•	•
TO-50	•	•	•	•	•			•	•	•	•		•	•
AZ9-100						•	•					•		



Dosage / 壓頭輸出量 : 0.22ml
 Bottle Material / 瓶身材質: PET / 100% PCR PET

ITEM 品項	Full Vol.(ml) 滿量	Dia.(mm) 直徑	Ha(mm) 瓶高	Hb(mm) 總高	G.P.I. 牙口
AA4-030	33.0	35.8	62.1	67.6	20/410
AB4-030	33.0	36.5	64.2	69.7	20/410
AC4-030	33.0	33.6	59.9	64.0	20/410
AD4-030	34.0	36.5	70.2	75.3	20/410
AE4-030	32.0	37.0	63.7	68.7	20/410
AF4-030	33.0	35.5	68.1	73.2	20/410
AP4-030	35.0	34.6	71.5	75.6	20/410

Attachment 搭配配件	Pump+Cap 壓頭+上蓋				Reducer + serew cap 瓶口塞+旋蓋				Dropper 滴管		
	L1+ EP2424	L1+ EP3042	L1L+ EP2845A	L2 or L8 EP2845	L2 or L8 CI2744	R20A+ SC2416	R20A+ SC2418	R20A+ SC2430	R20A+ SC2435	DP20	DM20
AA4-030	•	•	•	•	•	•	•	•	•	•	•
AB4-030	•	•	•	•	•	•	•	•	•	•	•
AC4-030	•	•	•	•	•	•	•	•	•	•	•
AD4-030	•	•	•	•	•	•	•	•	•	•	•
AE4-030	•	•	•	•	•	•	•	•	•	•	•
AF4-030	•	•	•	•	•	•	•	•	•	•	•
AP4-030	•	•	•	•	•	•	•	•	•	•	•

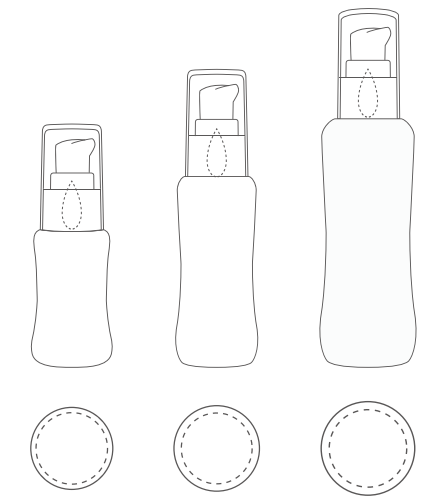


Dosage / 壓頭輸出量 : 0.22ml or 0.5ml

Bottle Material / 瓶身材質 : PET / 100% PCR PET

ITEM 品項	Full Vol.(ml) 滿量	Dia.(mm) 直徑	Ha(mm) 瓶高	Hb(mm) 總高	G.P.I. 牙口
AN6-050	54.0	37.5	95.4	126.4	20/410
AN7-100	104.0	40.0	132.7	164.1	20/410
AN9-150	155.0	48.8	136.7	165.3	24/410

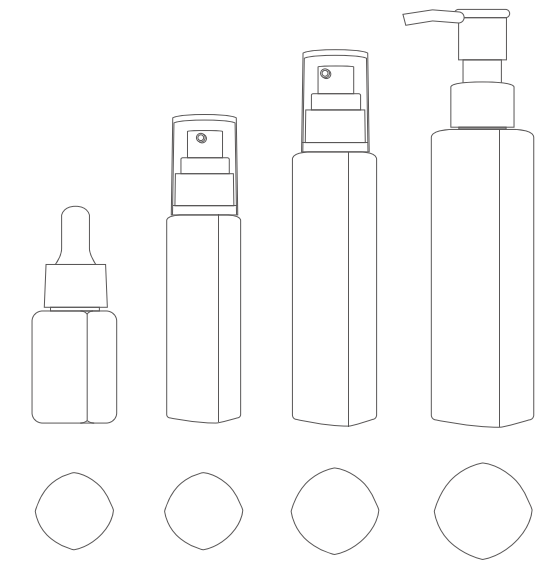
Attachment 搭配配件	Pump+Cap 壓頭+上蓋								Reducer + serew cap 瓶口塞+旋蓋				Dropper 滴管	
	L1+ EP2424	L1+ EP3042	L1L+ EP2845A	L2 or L8 EP2845	L2 or L8 CI2744	B2 or B8 EP3144	D1	B6	R20A+ SC2416	R20A+ SC2418	R20A+ SC2430	R20A+ SC2435	DP20	DM20
AN6-050	•	•	•	•	•				•	•	•	•	•	•
AN7-100	•	•	•	•	•				•	•	•	•		
AN9-150						•	•	•						



Dosage / 壓頭輸出量 : 0.22ml or 0.5ml
 Bottle Material / 瓶身材質: PET / 100% PCR PET

ITEM 品項	Full Vol.(ml) 滿量	Dia.(mm) 直徑	Ha(mm) 瓶高	Hb(mm) 總高	G.P.I. 牙口
AH4-030	33.0	35.5	72.0	103.6	20/410
AH6-050	54.0	37.5	95.5	127.3	20/410
AH7-100	104.0	43.3	119.2	151.0	24/410

Attachment 搭配配件	Pump+Cap 壓頭+上蓋				Reducer + serew cap 瓶口塞+旋蓋				Dropper 滴管		
	L1+ EP2424	L1+ EP3042	L1L+ EP2845A	L2 or L8 EP2845	L2 or L8 CI2744	R20A+ SC2416	R20A+ SC2418	R20A+ SC2430	R20A+ SC2435	DP20	DM20
AH4-030	•	•	•	•	•	•	•	•	•	•	•
AH6-050	•	•	•	•	•	•	•	•	•	•	•
AH7-100	•	•	•	•	•	•	•	•	•	•	•



Dosage / 壓頭輸出量 : 0.22ml or 0.5ml
 Bottle Material / 瓶身材質: PET / 100% PCR PET

ITEM 品項	Full Vol.(ml) 滿量	Dia.(mm) 直徑	Ha(mm) 瓶高	Hb(mm) 總高	G.P.I. 牙口
AO4-015	20.0	30.7	54.7	78.7	20/410
AO6-050	55.0	34.1	104.5	132.4	20/410
AO7-100	104.0	36.41	131.0	159.1	20/410
AO9-150	153.0	43.0	137.3	172.0	24/410

	Pump+Cap 壓頭+上蓋							Reducer + serew cap 瓶口塞+旋蓋					Dropper 滴管		
Attachment 搭配配件	L1+ EP2424	L1+ EP3042	L1L+ EP2845A	L2 or L8 EP2845	L2 or L8 CI2744	B2 or B8 EP3144	D1	R20A+ SC2416	R20A+ SC2418	R20A+ SC2430	R20A+ SC2435	R24A+ SC4534	R24A+ SC4340	DP20	DM20
AO4-015	•	•	•	•	•			•	•	•	•			•	•
AO6-050	•	•	•	•	•			•	•	•	•			•	•
AO7-100	•	•	•	•	•			•	•	•	•				
AO9-150						•	•					•	•		

厚壁霜罐

HEAVY WALL JAR

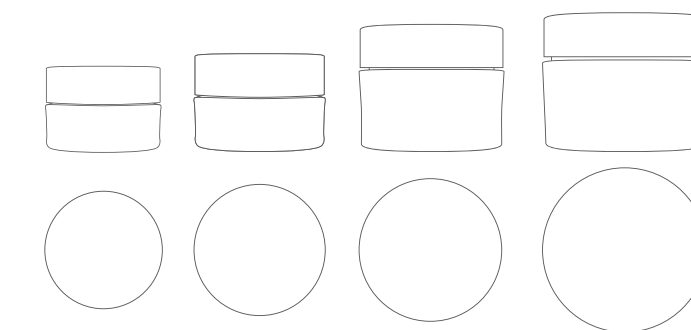
PET厚壁罐以單一材質的設計理念
重新定義了環保包材使包材在使用完畢後易於回收

*PET Heavy Wall Jar redefines Eco-friendly packaging with "single material concept",
it will be much easier to recycle and reuse. All transparent components bring more
possibilities for customizing your products.*



ITEM 品項	Full Vol.(ml) 滿量	Dia.(mm) 直徑	Ha(mm) 瓶高	Hb(mm) 總高	G.P.I. 牙口
MJA-10A	12.0	40.5	24.8	28.8	35/400
MJA-15A	17.0	44.0	28.0	31.2	38/400
MJA-30A	34.0	48.5	36.7	36.7	43/415
MJA-50A	58.0	57.2	41.0	41.0	52/400

Part	Material
Cap	PET / 100% PCR PET
Lid	PET / 100% PCR PET
Base	PET / 100% PCR PET

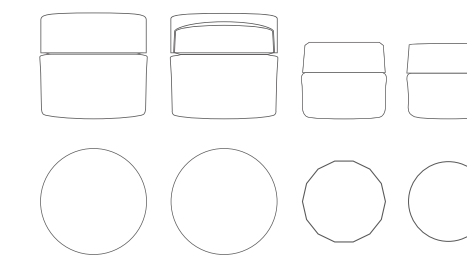




ITEM 品項	Full Vol.(ml) 滿量	Dia.(mm) 直徑	Ha(mm) 瓶高	Hb(mm) 總高	G.P.I. 牙口
EJ1-30	34.0	51.01	40.1	49.6	43/415
PJA-007	7.0	31.11	23.5	27.5	26
PJB-007	7.0	31.11	23.5	27.5	26

Part	EJ1-30 Material
Inner/Outer Cap	PET / 100% PCR PET
Lid	PET / 100% PCR PET
Base	PET / 100% PCR PET

Part	PJA / PJB Material
Cap / Liner	PP / PE
Base	PP





100%

PCR PET

100% Post consumer recycled PET

100% 消費者終端回收PET

實現企業核心理念及價值，並同時塑造時尚高級質感
100% PCR PET 是您的品牌代言人，是說故事的包材。

100% PCR PET bottles and jars present the products in a sustainable yet stylish brand image. A perfect storytelling packaging for an eco-friendly brand.

100% PCR PET



100% 消費者終端回收PET

俊伸有限公司亦提供 PCR PET 材質製作的厚壁瓶及厚壁霜罐，此系列產品提供兼具美觀及環保意識的回收再生綠色包材，使用消費者終端回收PET材質再製成瓶，100%使用再生原料堅持為環境盡最大的心力，與協力夥伴一大愛感恩科技股份有限公司共同打造環保與美的最佳代言人。

100% Post consumer recycled PET

*By using 100% post-consumer recycled PET plastic, we are able to build the brand image in "Green".
The process begins with the collection of used plastic bottle by the Buddhist Tzu Chi Foundation. Founded in 1966, the Tzu Chi Foundation is one of the largest charity organizations originating from Taiwan. There are approximately 5,400 Tzu Chi recycling stations in Taiwan and nearly 2,000 tons of PET bottles are collected and recycled by the over 72,000 Tzu Chi volunteers each year. The volunteers carefully follow the below process to recycled PET bottles one by one.*

回收及分類過程 Recycling and Sorting Process



AIRLESS BOTTLES

真空瓶

不同材質的真空瓶包材提供客戶不同設計的樣式，及視內料之需求選擇適合的瓶器。穩定的品質服務及優良的產品設計塑造專業的品牌形象。低殘留量的優點讓最後一滴也不浪費

With a variety of material to choose from, the airless bottle line provides many possibilities for design and formula. Perfect quality and the professional look create an appealing air of refinement. The airless bottle system ensures that even the last drop of lotion in the bottle is reachable.



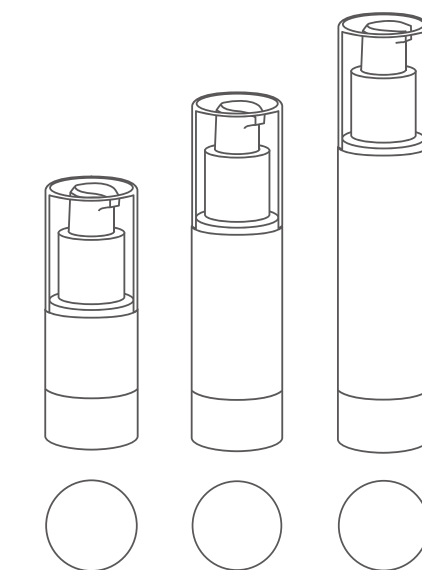
A33-15
15ml

A33-30
30ml

A33-50
50ml

ITEM 品項	Full Vol.(ml) 滿量	Dia.(mm) 直徑	Ha(mm) 瓶高	Hb(mm) 總高	G.P.I. 牙口
A33-15	22.0	33.3	63.7	91.4	20/410
A33-30	39.0	33.3	95.0	122.6	20/410
A33-50	57.0	33.3	123.5	151.2	20/410

Part	Material
Cap	AS
Actuator	PP
Pump	PP / Aluminum
Bottle	AS
Base	Aluminum





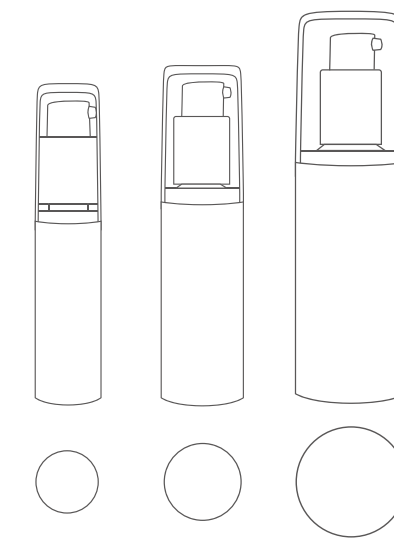
G24-15
15ml

G30-30
30ml

G37-50
50ml

ITEM 品項	Full Vol.(ml) 滿量	Dia.(mm) 直徑	Ha(mm) 瓶高	Hb(mm) 總高	G.P.I. 牙口
G24-15	18.0	24.7	85.6	115.2	18/415
G30-30	32.0	30.6	93.4	121.7	18/415
G37-50	56.0	37.8	97.7	127.3	18/415

Part	Material
Cap	AS
Pump	PP / Aluminum
Bottle	PETG
Base	ABS

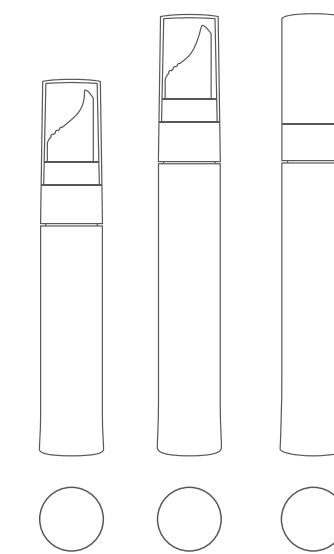




P20-10
10ml

P20-15
15ml

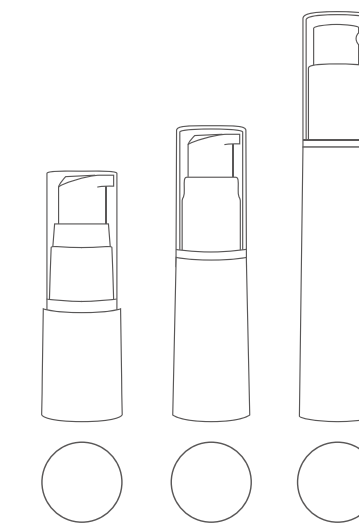
P20-18
18ml



ITEM 品項	Full Vol.(ml) 滿量	Dia.(mm) 直徑	Ha(mm) 瓶高	Hb(mm) 總高	G.P.I. 牙口
P20-10	14.0	21.0	84.0	120.8	18/400
P20-15	17.0	21.0	103.9	140.4	18/400
P20-18	20.0	21.0	103.9	140.4	18/400

Part	Material
Cap	AS /PP
Actuator	PP / Aluminum
Pump	PP / Aluminum
Bottle	PP

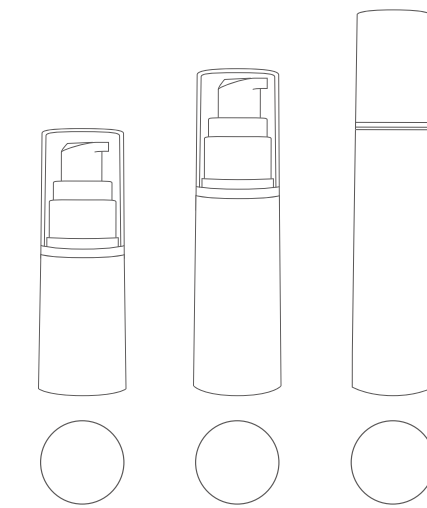
	Pump+Cap 壓頭+上蓋		
Attachment 搭配配件			
	C1	C2	C2L
P20-10	•	•	•
P20-15	•	•	•
P20-18	•	•	•



ITEM 品項	Full Vol.(ml) 滿量	Dia.(mm) 直徑	Ha(mm) 瓶高	Hb(mm) 總高	G.P.I. 牙口
P24-7	11.0	25.6	50.7	78.8	18/415
P24-15	18.0	25.6	71.0	99.2	18/415
P24-30	34.0	25.6	110.3	138.2	18/415

Part	Material
Cap	AS /PP
Actuator	PP / Aluminum
Pump	PP / Aluminum
Bottle	PP

	Pump+Cap 壓頭+上蓋		
Attachment 搭配配件			
	C1	C2	C2L
P24-7	•	•	•
P24-15	•	•	•
P24-30	•	•	•



ITEM 品項	Full Vol.(ml) 滿量	Dia.(mm) 直徑	Ha(mm) 瓶高	Hb(mm) 總高	G.P.I. 牙口
P33-15	24.0	32.6	66.7	96.3	20/410
P33-30	37.0	32.6	90.6	118.0	20/410
P33-50	59.0	32.6	121.6	151.2	20/410

Part	Material
Cap	AS
Actuator	PP / Aluminum
Pump	PP / ABS / Aluminum
Bottle	PP

	Pump+Cap 壓頭+上蓋			
Attachment 搭配配件				
	L1	L1L	L2	L2L
P33-15	•	•	•	•
P33-30	•	•	•	•
P33-50	•	•	•	•



ATTACHMENT

配件

各式配件可依據牙口尺寸搭配瓶身，根據產品需求混搭出獨特的樣式亦可客製化呈現多樣性的品牌風格。

Attachment options can match on the bottles according to the neck finish. Mix and match the attachments and bottles to crates the unique combination and perfect fit for each product. Customization is available.

Actuator 按鈕



A1



A2BCS



A5



A9



A3MP



A3MPS

G.P.I. 20/410 or 20/415 : Collar + Cap 中束+上蓋



L1/EP2424



L1/EP3042



L1L/EP2845A



L5/EP2424



L2,L2L,L7/EP4042



L8/EP2845



L2/EP2845



L2L/EP2845



L7/EP2845



L2,L2L,L7/C12744



L2,L2L,L7/C12744A

Reducer+Screw Cap 瓶口塞+旋蓋



R20A



SC2416



SC2418



SC2430



SC2435

Dropper+Wiper 滴管+滴管内塞

G.P.I. 24/410 or 24/415



DM20



DP20



W20A



B8/EP3247



B2/EP3144



B6



D1



SC4534



SC4340



R24A

PET Heavy Wall Bottle



TR4-015
15ml



TC4-015
15ml



TA4-015
15ml



TD4-S15
15ml



AO4-015
15ml



AX4-018
18ml

Airless Bottle

Heavy Wall Jar



P24-7
7ml



P20-10
10ml



P24-15
15ml



P33-15
15ml



A33-15
15ml



G24-15
15ml



P20-15
15ml



P20-18
18ml



PJA-007
7ml



PJA-007
7ml



MJA-10A
10ml



MJA-15A
15ml

PET Heavy Wall Bottle



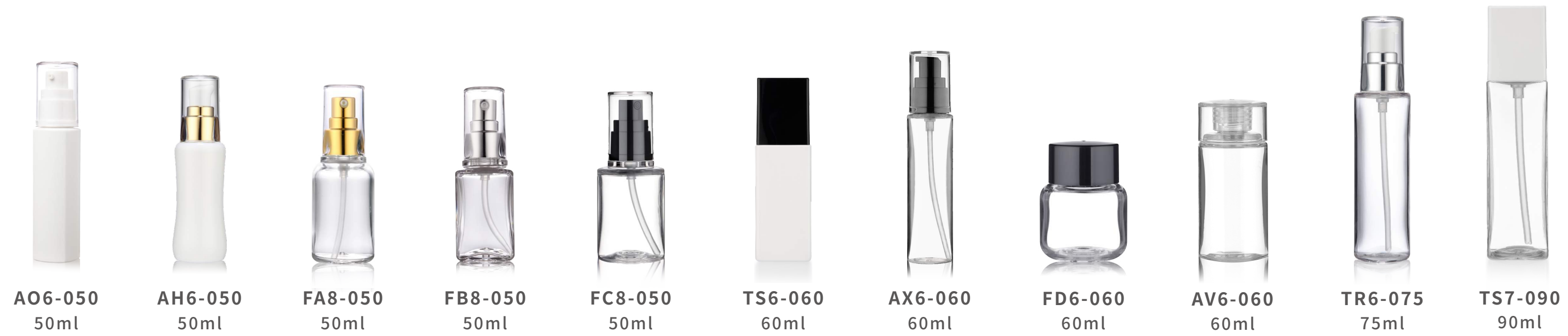
Airless Bottle



PET Heavy Wall Jar



PET Heavy Wall Bottle



Airless Bottle



PET Heavy Wall Jar



PET Heavy Wall Bottle



TR6-100
100ml



AG7-100
100ml



DC8-100
100ml



TC6-100
100ml



AM7-100
100ml



AN7-100
100ml



AO7-100
100ml



AH7-100
100ml



AZ9-100
100ml



AY9-100+B8
100ml



AY9-100+D1
100ml



AQ9-100
100ml



FD8-100
100ml

PET Heavy Wall Bottle



TR7-120
120ml



DC8-120
120ml



TC7-120
120ml



AU7-120
120ml



AV7-120
120ml



TR7-150
150ml



DC1-150
150ml



AM9-150
150ml



AN9-150
150ml



AO9-150
150ml



AV7-150
150ml



AY9-150
150ml



DC1-200
200ml



TS9-200
200ml



TL-200
200ml



DA1-200
200ml



DECORATION OPTIONS

裝飾加工

BOTTLE / coating, printing, hot stamping, injection color, vacuum plating

CAP / coating, printing, hot stamping, injection color, vacuum plating

ACTUATOR / injection color

PUMP, COLLAR / gold, silver, custom color, vacuum plating